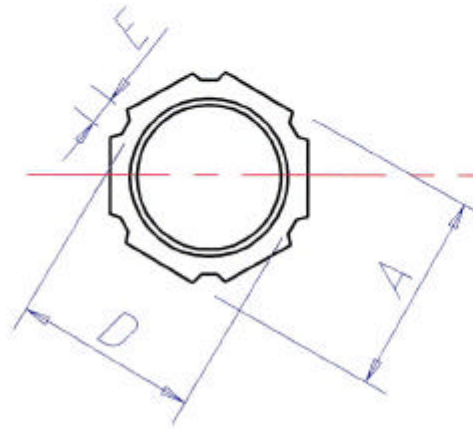


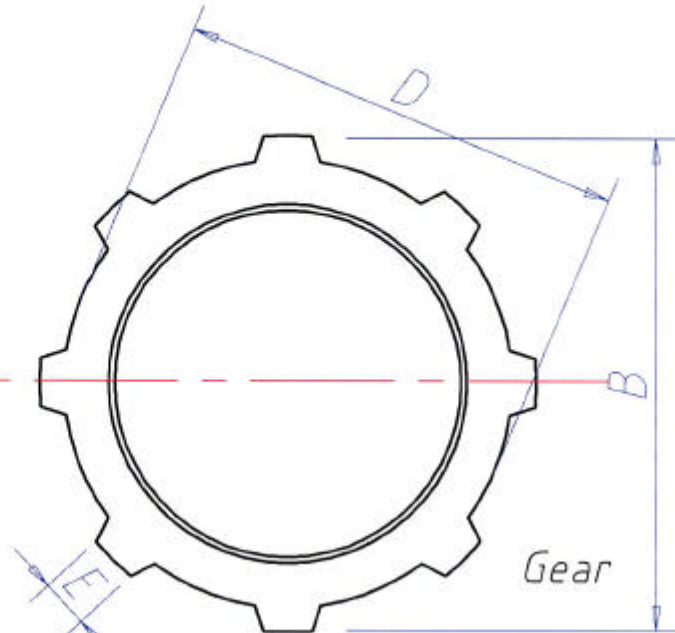
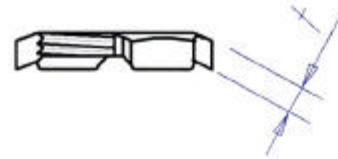
1 BODY

Material : Steel.

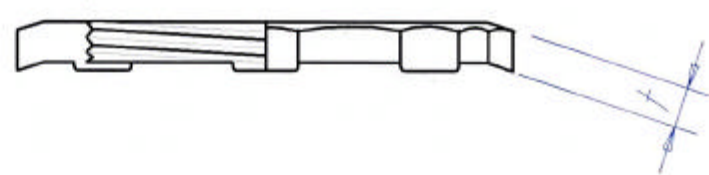
Surface treatment : Electro galvanized.



Hexagon



Gear



SIZE	16	22	28	36	42	54	70	82	92	104
A	27.0	33.5	40.5	49.0						
B					61.2	73.9	92.9	106.1	120.1	136.0
D	25.2	32.6	40.2	48.9	56.5	66.7	86.3	98.7	112.8	126.0
E	5.0	5.0	6.0	7.0	7.0	7.0	7.0	8.0	8.0	8.0
t	3.8	3.8	5.0	5.0	5.0	5.0	5.0	6.0	6.0	6.0
W/g	6.4	9.9	18.7	27.4	30.8	38.0	58.3	77.4	100.4	122.5

SIZE	15	19	25	31	39	51	63	75
A	21.3	24.7	31.7	38.7	45.3			
B						65.1	78.8	92.9
D	20.3	23.7	31.3	37.3	44.4	60.7	73.7	86.5
E	3.0	4.0	5.0	6.0	7.0	7.0	7.0	7.0
t	3.2	3.2	3.2	3.8	3.8	5.0	5.0	5.0
W/g	3.7	4.4	7.1	11.3	14.4	34.0	43.7	52.0

Productin YSK
Tehnology control sales JOINT

FILM NAME	F630-20020511 Auto CAD	
DRAWN	LNG,LNC	Lock Nuts
CHECK		
APPR	joint kogyo	T.okano
ISSUED		